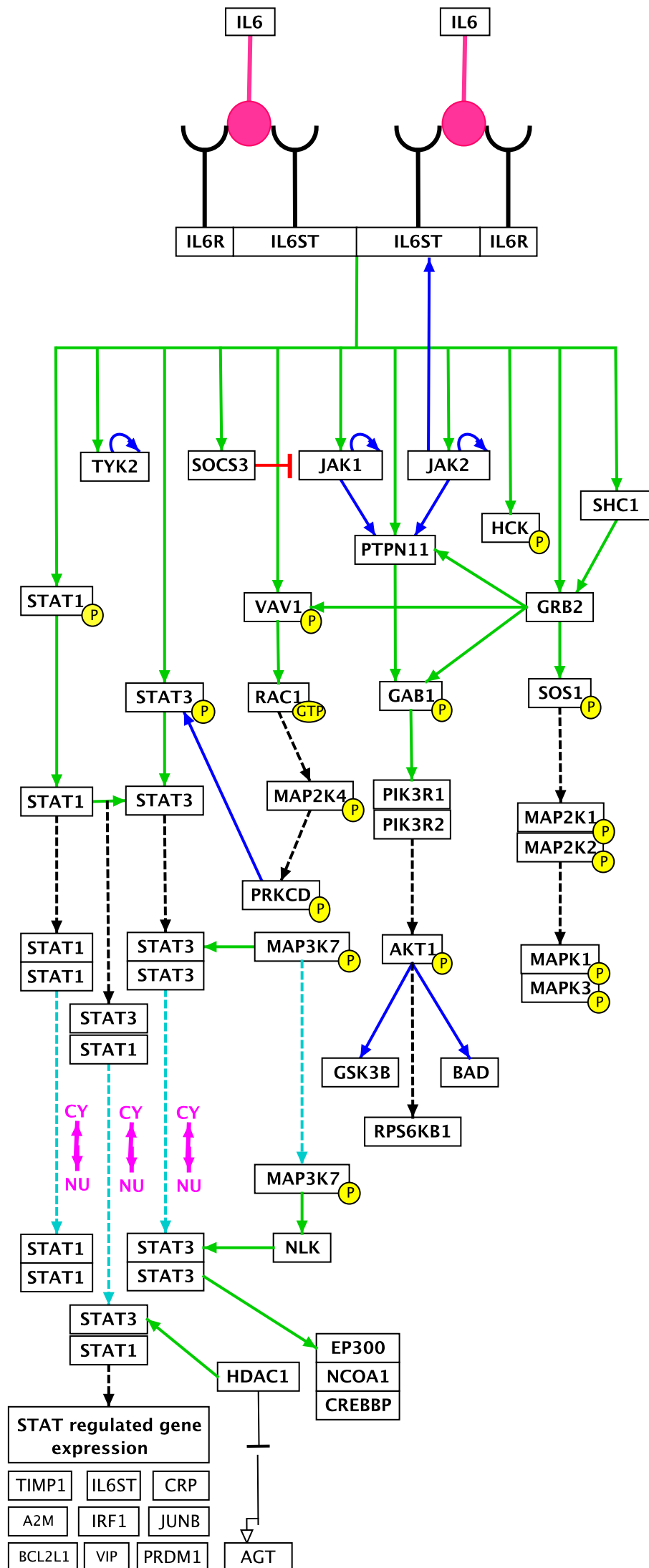


## IL-6 Signal Transduction Pathway



**LEGEND**

	Ligand		Receptor		Protein		mRNA
	Protein-protein interaction						
	Leads to through unknown mechanism						
	Positive regulation of gene expression						
	Negative regulation of gene expression						
	Auto catalysis						
	Acetylation						
	Deacetylation						
	Phosphorylation						
	Dephosphorylation						
	Sumoylation						
	Desumoylation						
	Ubiquitination						
	Deubiquitination						
	Methylation						
	Demethylation						
	Palmitoylation						
	Proteolytic cleavage						
	Transport						
	Induced catalysis						
	Translocation						
PM	Plasma membrane						
CY	Cytoplasm						
EC	Extracellular						
EN	Endosome						
ER	Endoplasmic reticulum						
GO	Golgi apparatus						
MT	Mitochondrion						
NU	Nucleus						